



# PULSE Alcove Tub

Model # PT-2001L-32 & PT-2001R-32

Specification Sheet

297 Anna St. | Watsonville, CA 95076  
831.724.7300  
www.PulseShowerSpas.com



## TECHNICAL INFORMATION

- Installation: Alcove
- Color: Glossy white acrylic
- Max Weight: 1100 lbs
- Product Weight: 84 lbs
- Water Capacity: 49.2 gal
- Tub Soaking Depth: 12.6 inch
- Box Dims: 61"x33"x21"
- Drain Location: Left or Right\*

## PRODUCT FEATURES

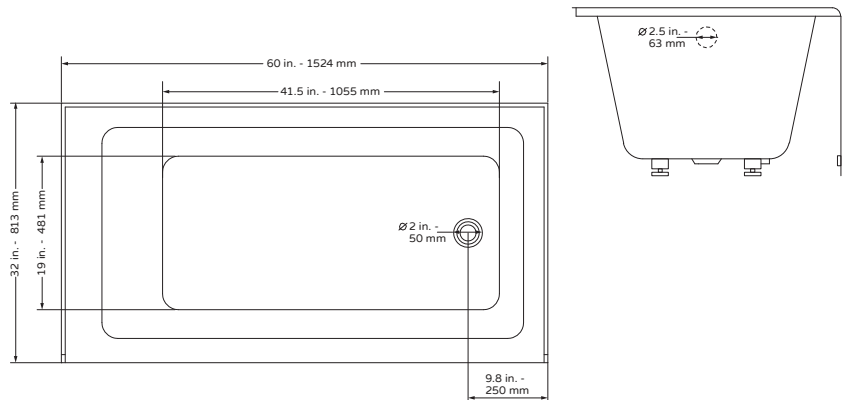
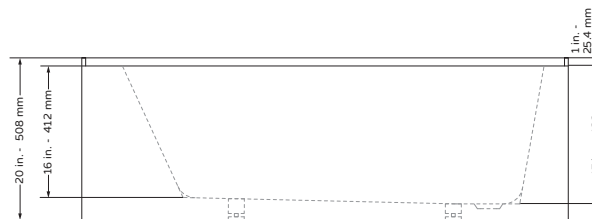
- 100% Lucite pure acrylic sheet
- CPIC fiberglass-alkali free
- Stainless steel bracket
- 5 Supporting feet

## NOTES

- Measure your actual product for rough-in details
- Install this product according to the installation instructions

## CODE/STANDARDS

- cUPC Approved



\*Drain sold separately

